

A

B

C

D

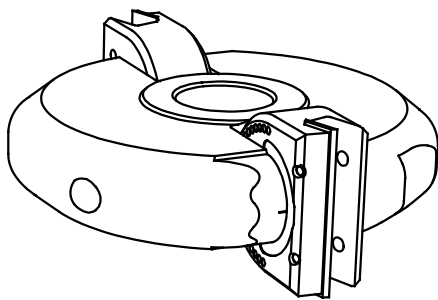
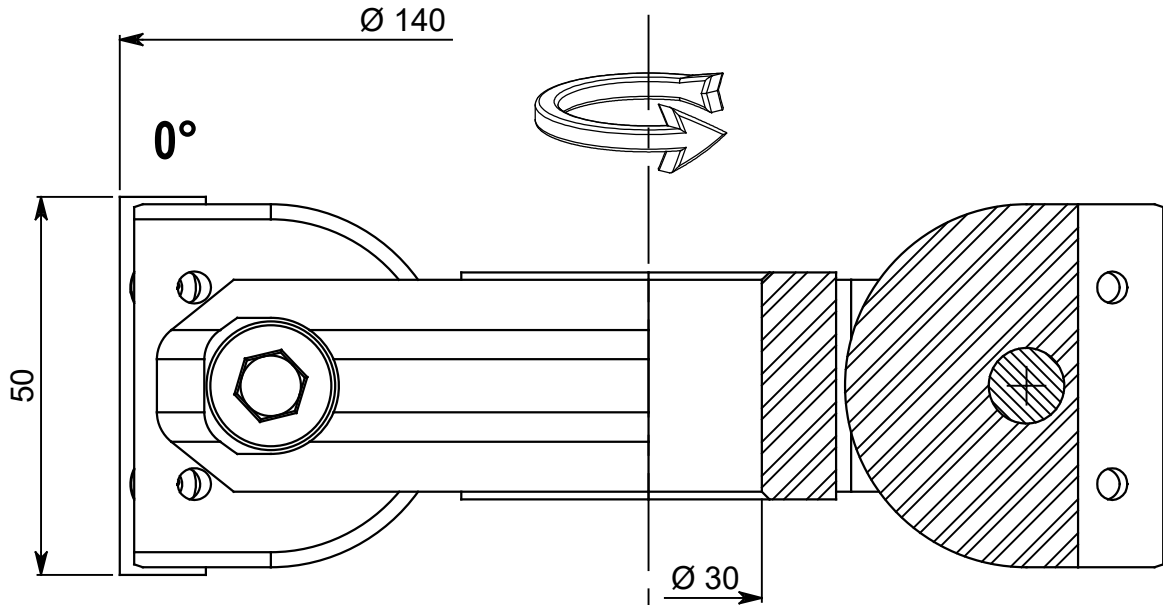
E

F

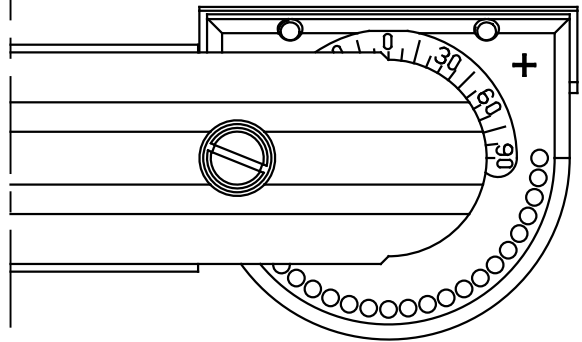
G

H

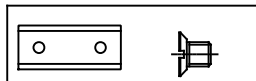
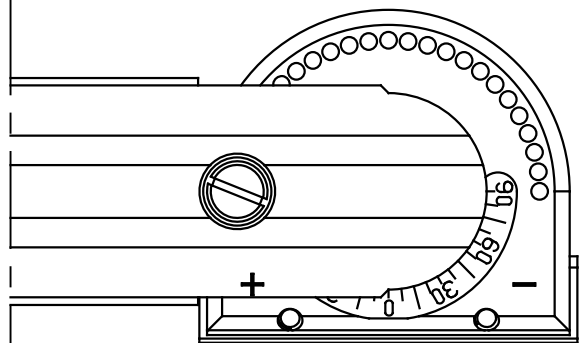
L



+90°



-90°



501-04-005

04.0.119 - 04.0.938

FELDER.

Silent
POWER



ABMESSUNGEN
DIMENSIONS
140x50x30

RPM
6000-8500

GAUGE

VORSCHUB
FEED
MAN

MESSERMATERIAL
KNIFE MATERIAL
HW

Z
2

0 1
0.4 1.5

SIZE
A4

SCALE
1:1

ARTIKEL
ITEM

LINEAREINHEIT
LINEAR DIMENSION
WINKELEINHEIT
ANGULAR SIZE
MM
°

501-04-005